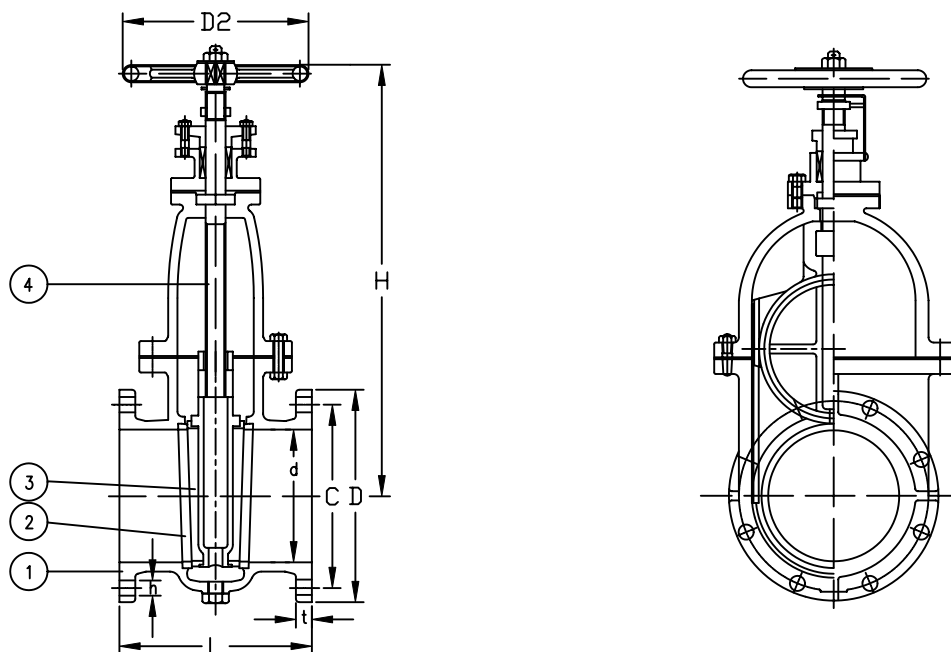


SERIES F7369 - JIS 16K

Cast Iron Gate Valve - Korean Standard

Manufactured in accordance to JIS F7400

Flanges as per JIS B2220 - 16K



Part Nr.	Material	Code
1 - Body	Cast Iron	FC20
2 - Seat	Bronze	BC6
3 - Disc	Bronze	BC6
4 - Stem	Brass	C3771BD

Nominal Diameter	Test Pressure MPa [kgf/cm ²]	
	Body	Seat
50 to 400	2.36 [24.0]	1.73 [17.6]

Size	L	D	C	No.	h	t	H	D2	Kg
050	200	155	120	8	19	16	300	140	22.5
065	220	175	140	8	19	18	350	160	25
080	230	200	160	8	23	20	400	180	33
100	250	225	185	8	23	22	450	200	52
125	270	270	225	8	25	22	520	250	72
150	290	305	260	12	25	24	580	280	95
200	310	350	305	12	25	26	700	355	143
250	390	430	380	12	27	28	845	450	203
300	490	480	430	16	27	36	1010	500	430
350	540	540	480	16	33	38	1070	560	580
400	610	605	540	16	33	42	1160	630	780