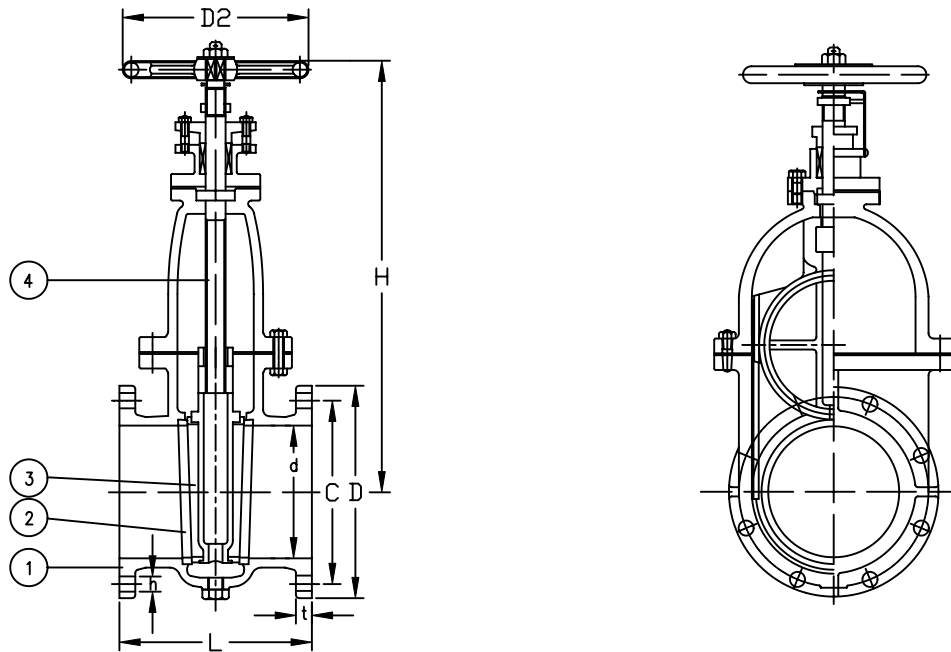


SERIES F7369 - JIS 16K

Cast Iron Gate Valve

Manufactured in accordance to JIS F7400

Flanges as per JIS B2220 - 16K



Part Nr.	Material	Code
1 - Body	Cast Iron	FC20
2 - Seat	Bronze	BC6
3 - Disc	Bronze	BC6
4 - Stem	Brass	C3771BD

Nominal Diameter	Test Pressure MPa [kgf/cm ²]	
	Body	Seat
50 to 400	2.36 [24.0]	1.73 [17.6]

Size	L	D	C	No.	h	t	H	D2	Kg
050	210	155	120	8	19	20	300	140	19.5
065	240	175	140	8	19	22	350	160	28
080	260	200	160	8	23	24	400	180	35
100	290	225	185	8	23	26	450	200	50
125	310	270	225	8	25	26	520	250	70
150	330	305	260	12	25	28	580	280	100
200	370	350	305	12	25	30	700	355	150
250	430	430	380	12	27	34	845	450	250
300	490	480	430	16	27	36	1010	500	423
350	540	540	480	16	33	38	1070	560	580
400	610	605	540	16	33	42	1160	630	780