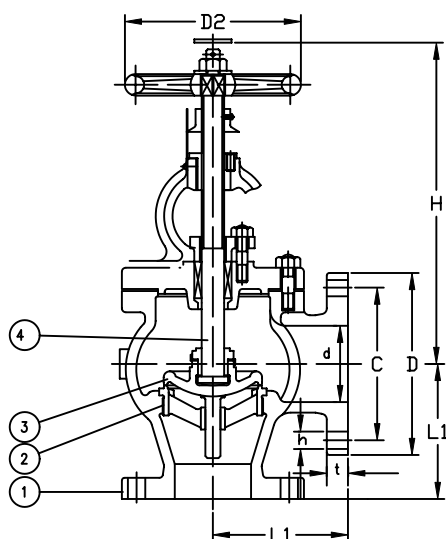


SERIES F7350 - JIS 10K

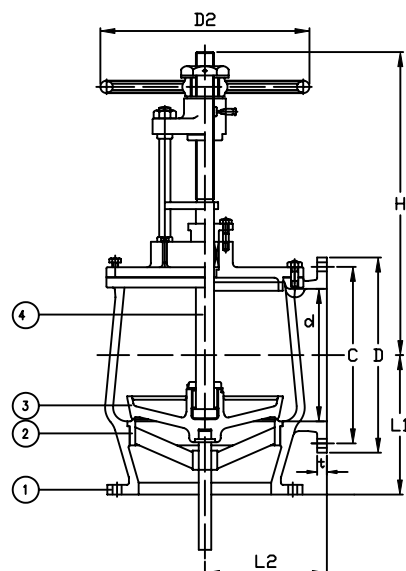
Cast Steel Angle Hull Valve

Manufactured in accordance to JIS F7400

Flanges as per JIS B2220 - 10K



Sizes 150A to 300A



Sizes 350A to 700A

Part Nr.	Material	Code
1 - Body	Cast Steel	SC49
2 - Stem	Stainless Steel	SUS403
3 - Disc	Stainless Steel	SUS420J1
4 - Seat	Stainless Steel	SUS420J1

Nominal Diameter	Test Pressure MPa [kgf/cm ²]	
	Body	Seat
200 or less	1.47 [15]	1.08 [11]
250 and 300	1.03 [10.5]	0.76 [7.7]
300 more	0.5 [5.1]	0.25 [2.5]

Size	L1	L2	D	C	No.	h	t	H	D2	Kg
150	205	-	280	240	8	23	22	400	315	78
200	230	-	330	290	12	23	22	480	355	117
250	290	-	400	355	12	25	24	535	400	190
300	320	-	445	400	16	25	24	610	450	258
350	360	320	490	445	16	25	26	1010	500	376
400	400	350	560	510	16	27	28	1130	600	490
450	450	380	620	565	20	27	30	1250	710	632
500	500	430	675	620	20	33	30	1380	800	839
550	550	460	745	680	24	33	32	1505	900	1060
600	610	500	795	730	24	33	32	1630	900	1270
650	660	540	845	780	24	33	34	1765	1000	1590
700	710	570	905	840	24	33	34	1890	1000	1930