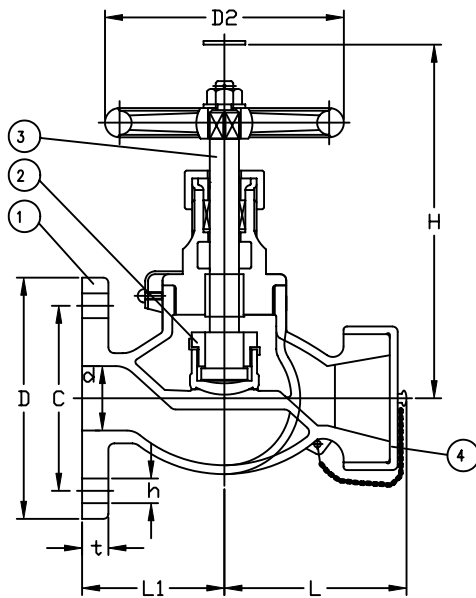


SERIES F7334 - JIS 5K & 10K Bronze Hose Globe Valve

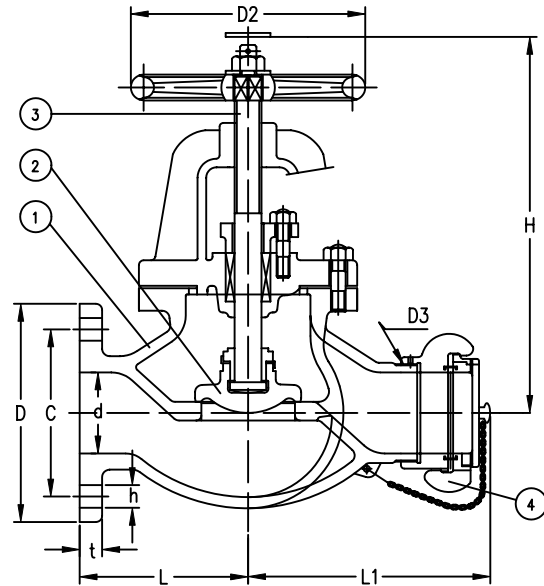
Nakajima System

Manufactured in accordance to JIS F7400

Flanges as per JIS B2220 - 5K or 10K



Screwed Bonnet
for sizes 15A-25A



Bolted Bonnet
for sizes 40A-65A

Part Nr.	Material	Code	Nominal Pressure			
			5K	10K		
1 - Body	Bronze	BC6	Hydraulic	Body	12kg	24kg
2 - Disc	Bronze	BC6				
3 - Stem	Brass	C3771BD	Inspection	Seat	8kg	12kg
4 - Coupling	Bronze	BC6				

Type	Size	L	L1	D	C	No.	h	t	H	D2	D3
5K	15	73	50	80	60	4	12	9	129	80	M42x2
	25	78	60	95	75	4	12	10	161	125	M42x2
	40	128	80	120	95	4	15	12	193	140	M52x2
	50	160	105	130	105	4	15	14	256	160	M64x2
10K	15	73	55	95	70	4	15	12	129	80	M42x2
	25	83	65	125	90	4	19	14	161	125	M42x2
	40	133	90	140	105	4	19	16	193	140	M52x2
	50	165	110	155	120	4	19	16	271	160	M64x2
	65	200	135	175	140	4	19	18	298	200	M80x2