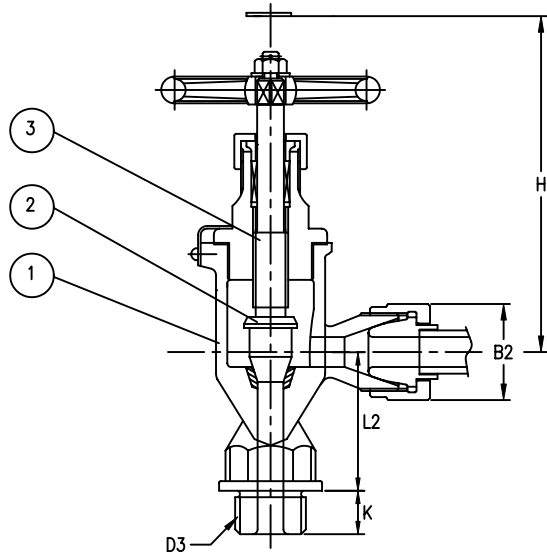


# SERIES F7330 - JIS 40K

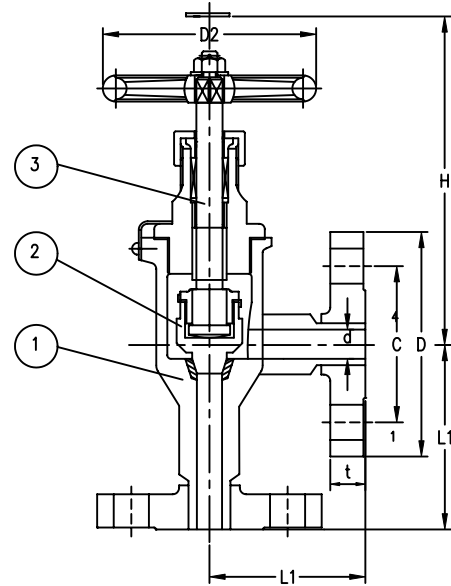
## Forged Steel Angle Valve

Manufactured in accordance to JIS F7400

Flanges as per JIS B2220 - 40K



“S” Type



“F” Type

Part Nr.	Material	Code
1 - Body	Forged Steel	SF45
2 - Stem	Stainless Steel	SUS403
3 - Disc	Stainless Steel	SUS402J1

	Test Pressure MPa [kg/cm <sup>2</sup> ]
Body	9.12 [93.0]
Seat	6.69 [68.2]

Type	Type of Connection	Nominal Dia.
S	Screw thread type	6 and 10
F	Flange type	15 to 25

	Size	L	L1	L2	L3	K	D	C	n	h	t	H	B2	D3	Kg
Type	6	-	42	38	51	12	-	-	-	-	-	140	30	M20x1.5	1.47
“S”	10	-	46	45	58	16	-	-	-	-	-	145	41	M24x2	1.7
Type	15	90	-	-	-	-	115	80	4	19	20	190	-	-	5.89
“F”	20	95	-	-	-	-	120	85	4	19	20	220	-	-	7.27
	25	100	-	-	-	-	130	95	4	19	22	235	-	-	9.38