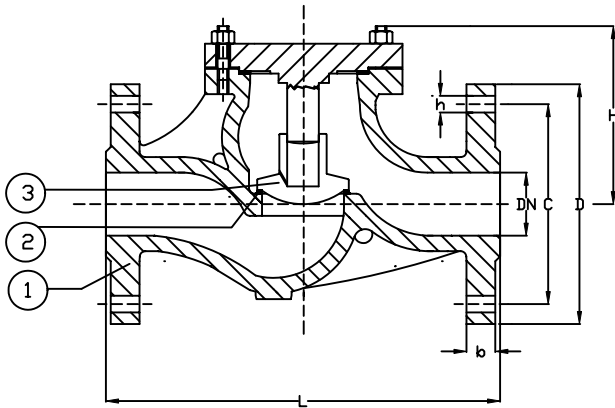
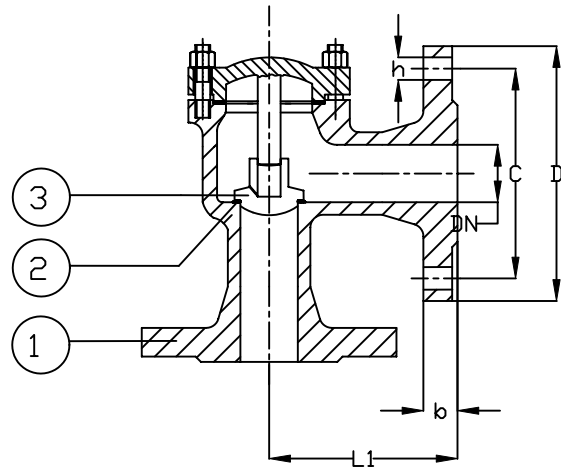


PN 40 Cast Steel Lift Check Valve Globe & Angle Pattern - Stainless Steel Trim

Series 4615 ... Globe
Series 4715 ... Angle



Series 4615



Series 4715

Face to Face according to DIN 3202-F1
Face to Center according to DIN 3202-F8
Flanges according to DIN2501-PN40

Part Nr.	Material	Code	Size	Nom. Pressure	Hydraulic Inspection	
			DN	PN	Body	Seat
1 - Body 2 - Disc 3 - Seat	Cast Steel Stainless Steel Stainless Steel	GSC-25N AISI 410 AISI 410	15 to 200	40	60	40

Size	L	L1	D	C	No.	h	t	H	Kg
15	130	90	95	65	4	14	16	75	3
20	150	95	105	75	4	14	18	75	4
25	160	100	115	85	4	14	18	75	5
32	180	105	140	100	4	18	18	80	7
40	200	115	150	110	4	18	18	85	9.7
50	230	125	165	125	4	18	20	95	13
65	290	145	185	145	8	18	22	120	21
80	310	155	200	160	8	18	24	130	29
100	350	175	235	190	8	22	24	155	43
125	400	200	270	220	8	25	26	180	70
150	480	225	300	250	8	25	28	200	98
200	600	275	375	320	12	30	34	260	188