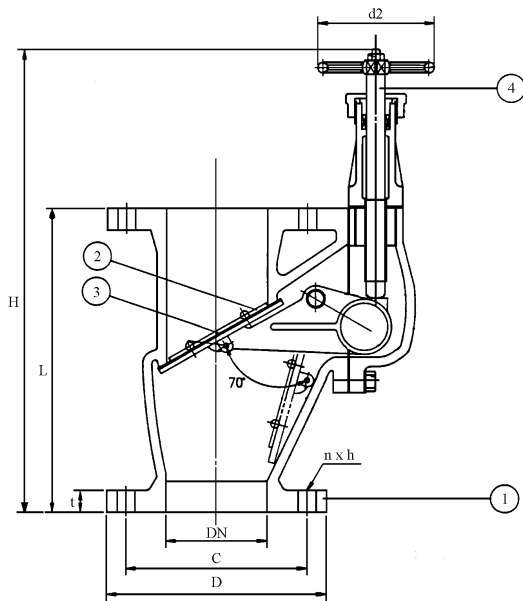
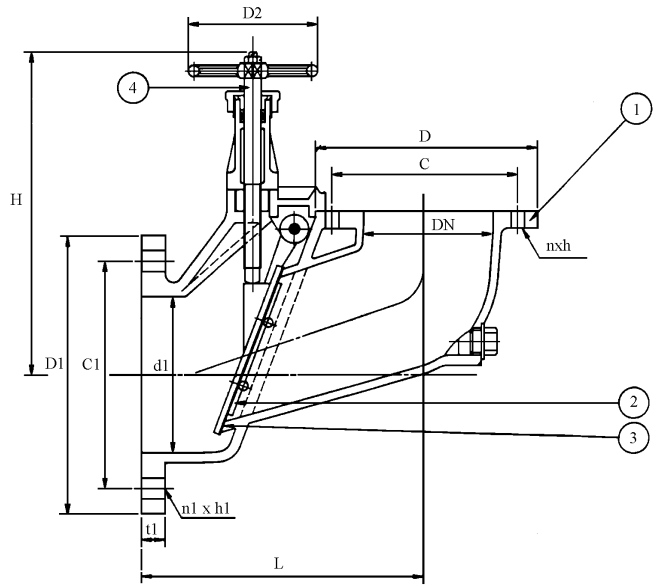


PN 10 Cast Steel Storm Valve Vertical & Angle Pattern

Series 4211 ... Vertical
Series 4311 ... Angle



Series 4211



Series 4311

Flanges according to DIN2501-PN10

Part Nr.	Material	Code
1 - Body	Cast Steel	GSC-25N
2 - Disc	Bronze	DIN 1705
3 - Disc Gasket	NBR	NBR
4 - Stem	Brass	DIN 17672

Size DN	Nom. Pressure	Hydraulic Inspection	
	PN	Body	Seat
50 to 200	10	5.1	2.0

Type	Size	L	D	C	No.	h	t	d1	D1	C1	No1	h1	t1	H	D2	Kg.
Vertical	50	200	165	125	4	18	18	-	-	-	-	-	-	356	100	19.9
	65	240	185	145	4	18	18	-	-	-	-	-	-	396	100	28.7
	80	260	200	160	8	18	20	-	-	-	-	-	-	450	100	32.4
	100	300	220	180	8	18	20	-	-	-	-	-	-	490	100	48.7
	125	350	250	210	8	18	22	-	-	-	-	-	-	572	125	73.1
	150	400	285	240	8	22	22	-	-	-	-	-	-	622	125	104
Angle	50	180	165	125	4	18	18	68	200	160	8	18	20	210	100	11.5
	65	200	185	145	4	18	18	85	220	180	8	18	20	220	100	13.5
	80	215	200	160	8	18	20	100	250	210	8	18	22	233	100	18
	100	250	220	180	8	18	20	130	285	240	8	22	22	255	100	27
	125	290	250	210	8	18	22	158	315	270	8	22	22	292	125	36.5
	150	330	285	240	8	22	22	190	340	295	8	22	24	316	125	480