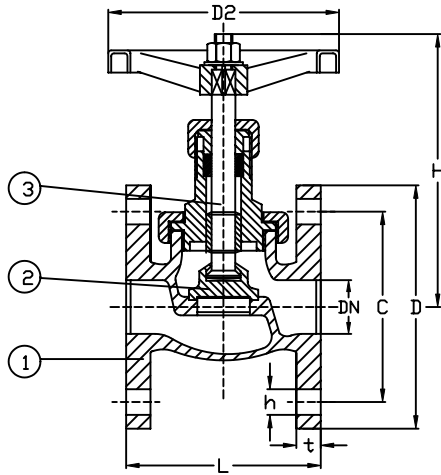
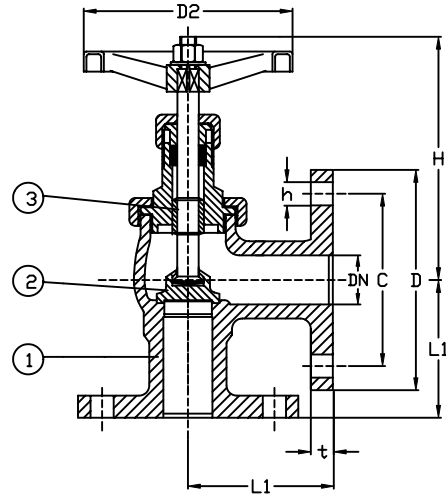


PN 16 Bronze Globe & Angle Valve Union Bonnet

Series 2522 ... Globe
Series 3522 ... Angle



Series 2522



Series 3522

Flanges according to DIN2501-PN16

Part Nr.	Material	Code
1 - Body	Gunmetal	DIN 1705
2 - Disc	Gunmetal	DIN 1705
3 - Stem	Brass	DIN 17672

Size DN	Nom. Pressure PN	Hydraulic Inspection	
		Body	Seat
15 to 100	16	25	16

Size	L	L1	D	C	No.	h	t	H	D2	2522	3522
										Kg	Kg
15	70	65	95	65	4	14	14	115	60	1.5	1.9
20	80	70	105	75	4	14	16	125	70	2.3	3
25	90	75	115	85	4	14	16	140	90	2.7	3.8
32	105	90	140	100	4	18	18	155	90	4.5	5.7
40	120	100	150	110	4	18	19	175	110	6.3	6.2
50	140	105	165	125	4	18	20	195	120	8	9.7
65	180	115	185	145	4	18	20	225	160	11.6	12.2
80	200	125	200	160	8	18	22	225	160	16	16
100	230	-	220	180	8	18	24	280	160	21	-