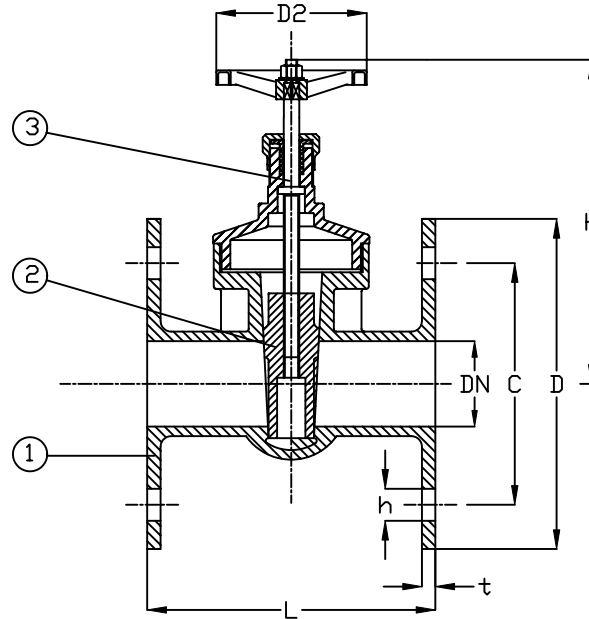


PN 16 Bronze Gate Valve

Short Pattern

Series 1422 ... Bronze
Series 1622 ... Bronze



Flanges according to DIN2501-PN16

Part Nr.	Material	Code
1 - Body	Bronze	DIN 1705
2 - Disc	Bronze	DIN 1705
3 - Stem	Brass	DIN 17672

Size	Series 1422 Series 1622		D	C	Holes	H	KG
	L						
15	75	80	95	65	4 x 14	90	1.5
20	75	90	105	75	4 x 14	115	2.0
25	80	100	115	85	4 x 14	130	2.5
32	90	110	140	100	4 x 18	145	4.0
40	100	120	150	110	4 x 18	160	5.5
50	110	120	165	125	4 x 18	190	7.2
65	130	140	185	145	4 x 18	230	10.0
80	150	160	200	160	8 x 18	260	14.0
100	160	180	220	180	8 x 18	335	22.0
125	-	180	250	210	8 x 18	395	28.0
150	-	200	285	240	8 x 22	415	38.0